

WATER BAR END TREATMENT
PERPENDICULAR TO SLOPE EXAMPLE
NOT TO SCALE

DATE: 1/22/18

SHEET 1 OF 5

50' PERMANENT
RIGHT-OF-WAY

WATER BAR SPACING PER TABLE
ON TYPICAL DETAIL MVP-17.2

125' TEMPORARY RIGHT-OF-WAY

PERMANENT WATER BAR
@ 2 TO 5% TRANSVERSE SLOPE

TRENCH

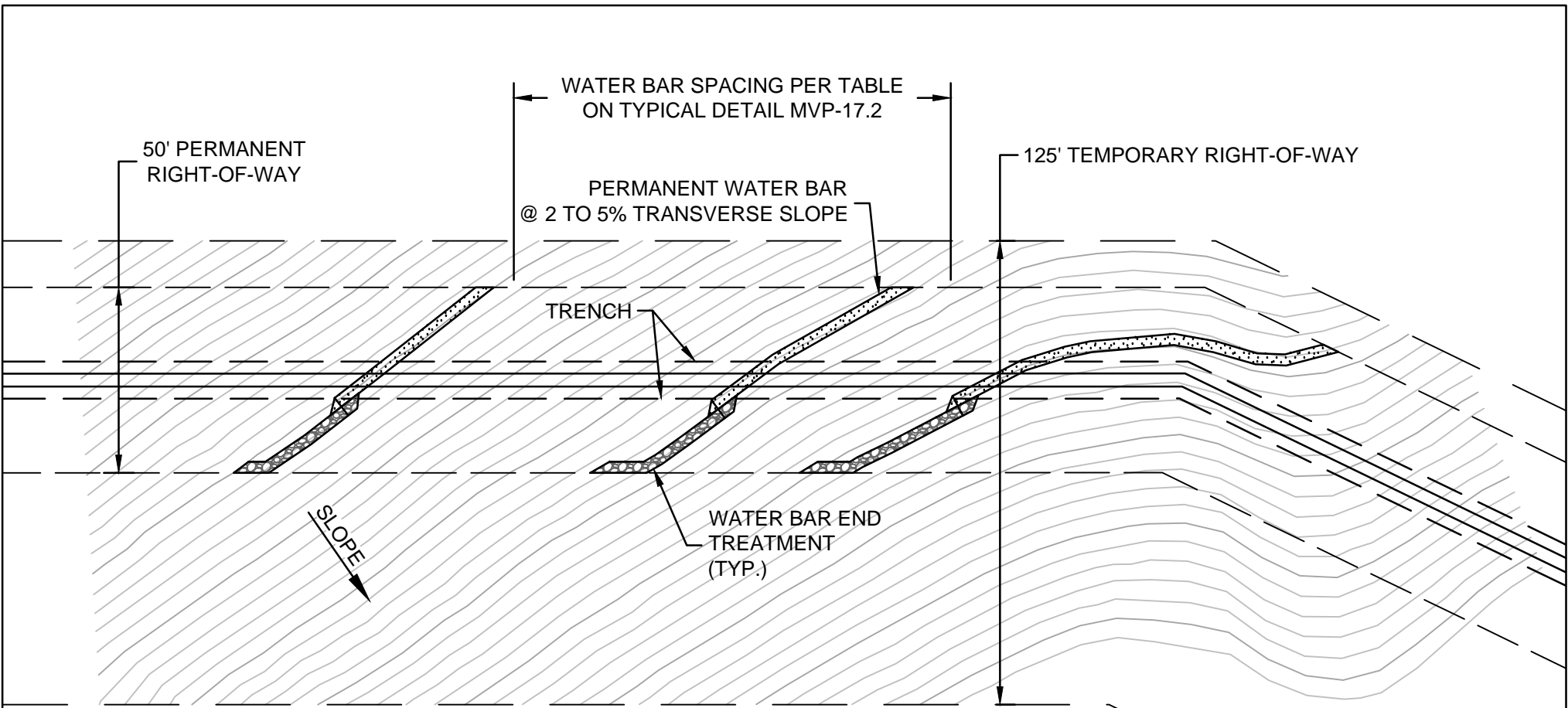
WATER BAR END
TREATMENT
(TYP.)

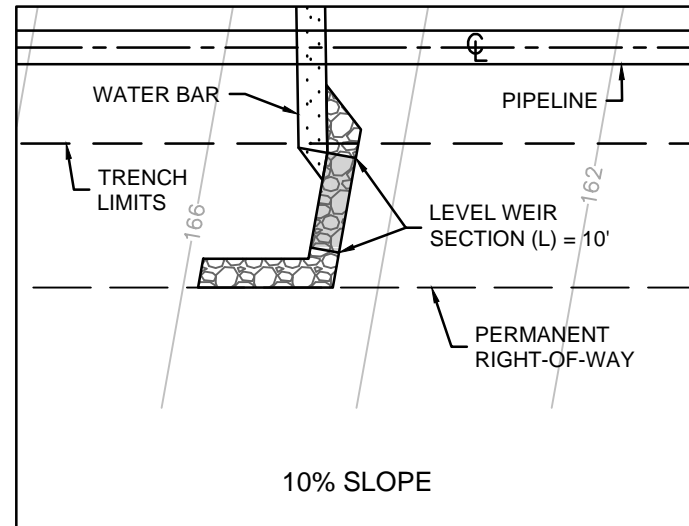
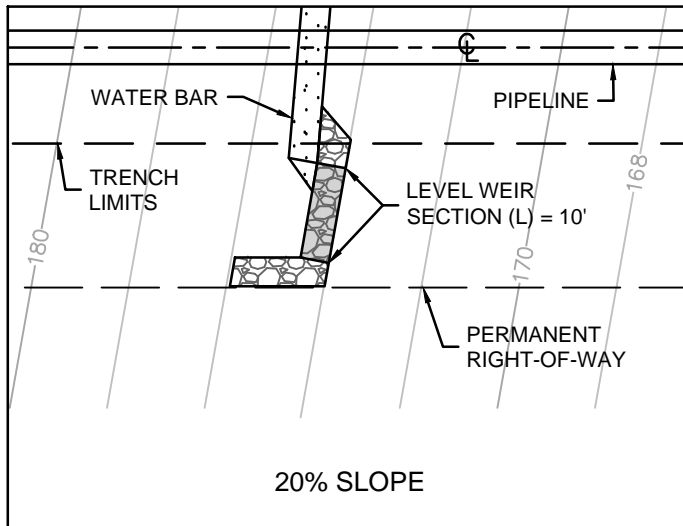
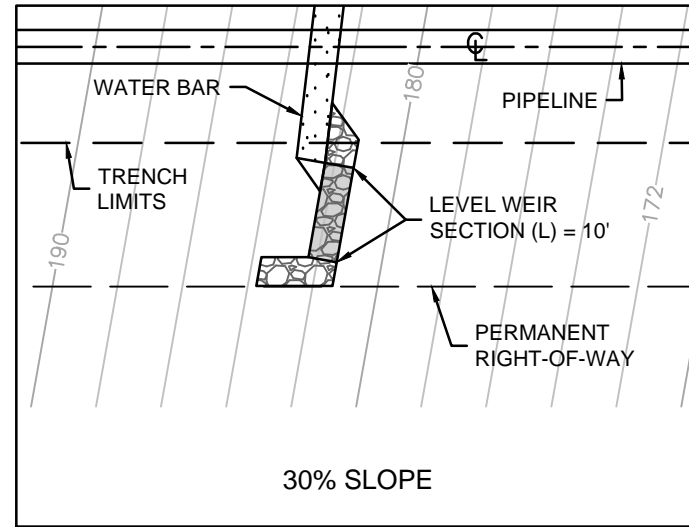
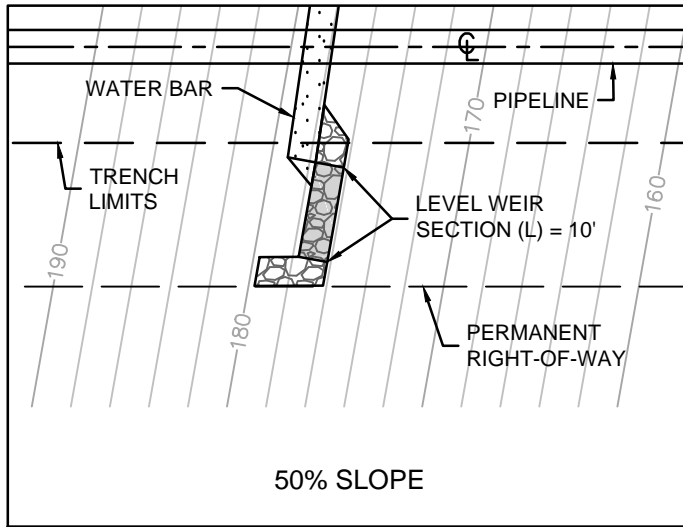
SLOPE

WATER BAR END TREATMENT
CROSS SLOPE EXAMPLE
NOT TO SCALE

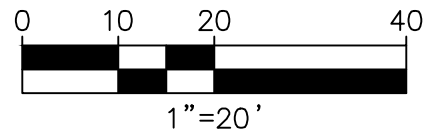
DATE: 1/22/18

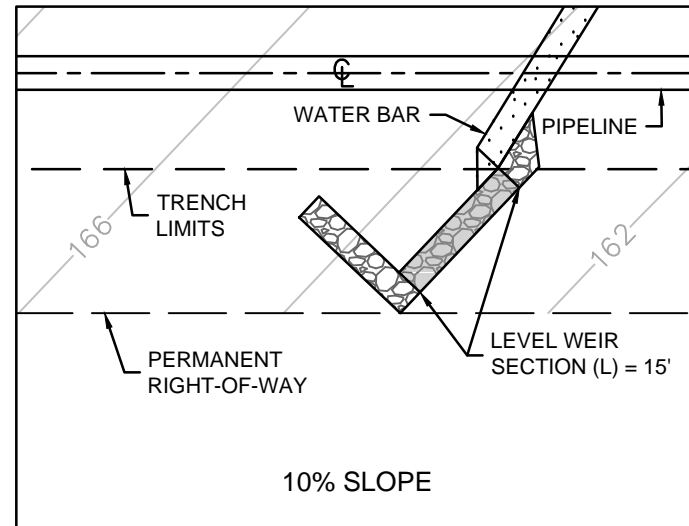
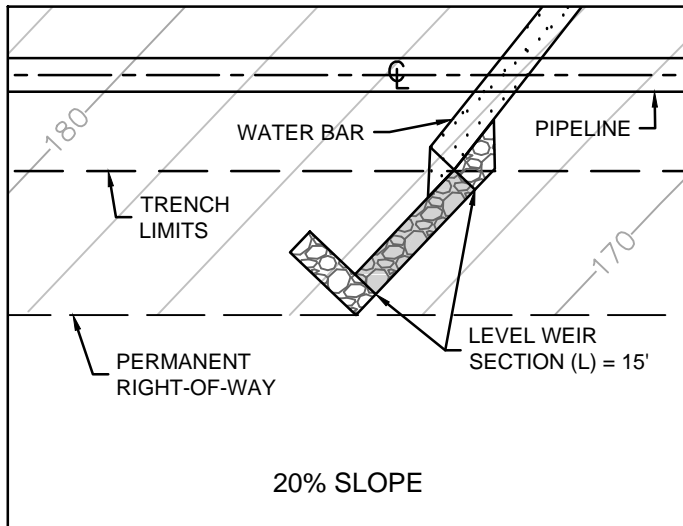
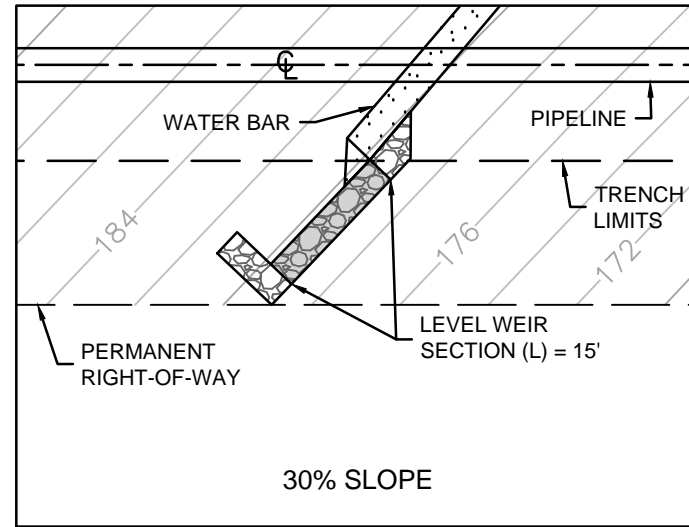
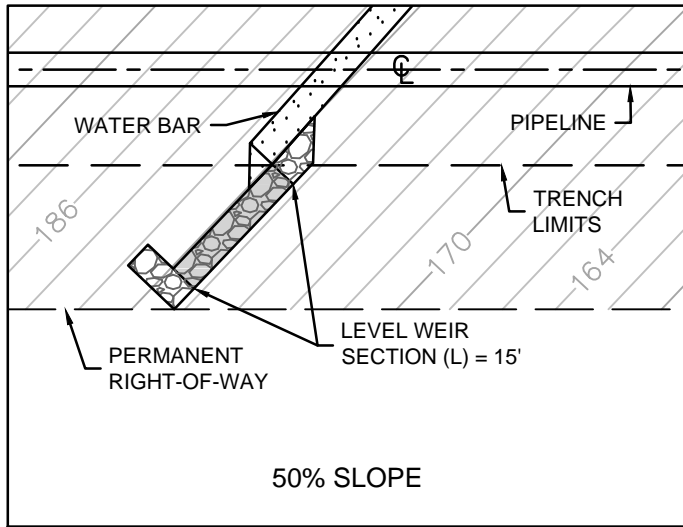
SHEET 2 OF 5



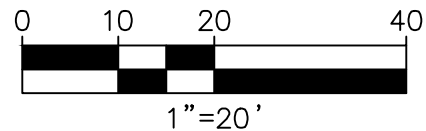


**DETAILED EXAMPLES -
PERPENDICULAR TO
SLOPE CONDITION**



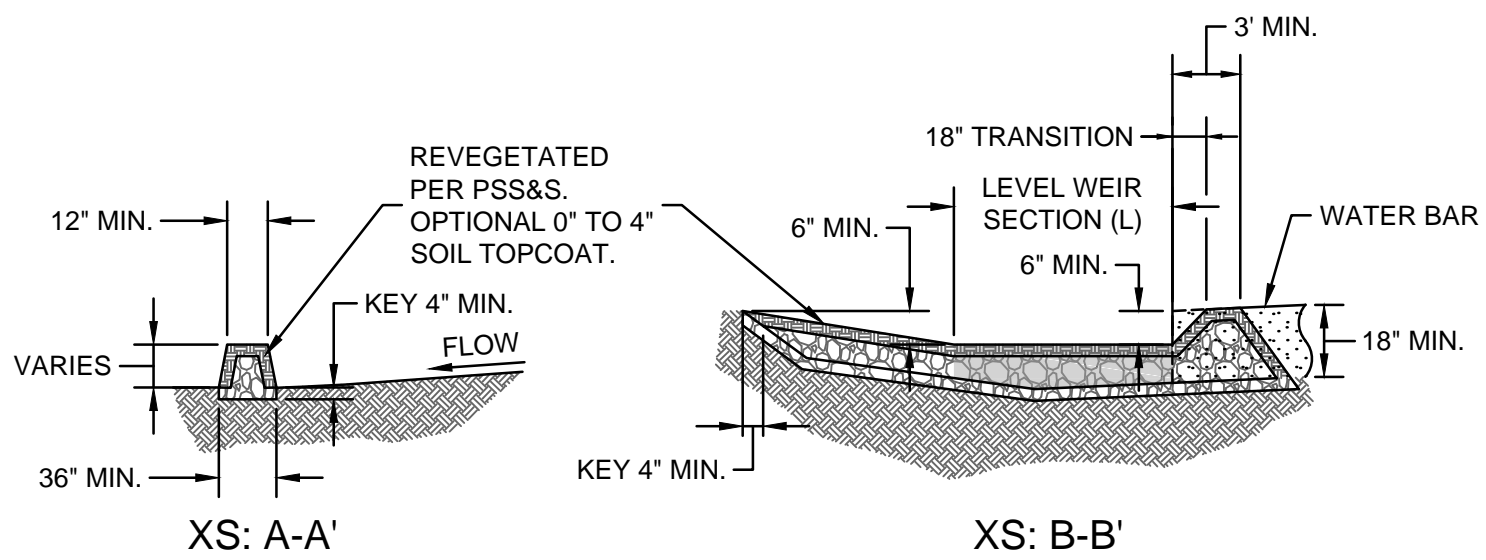
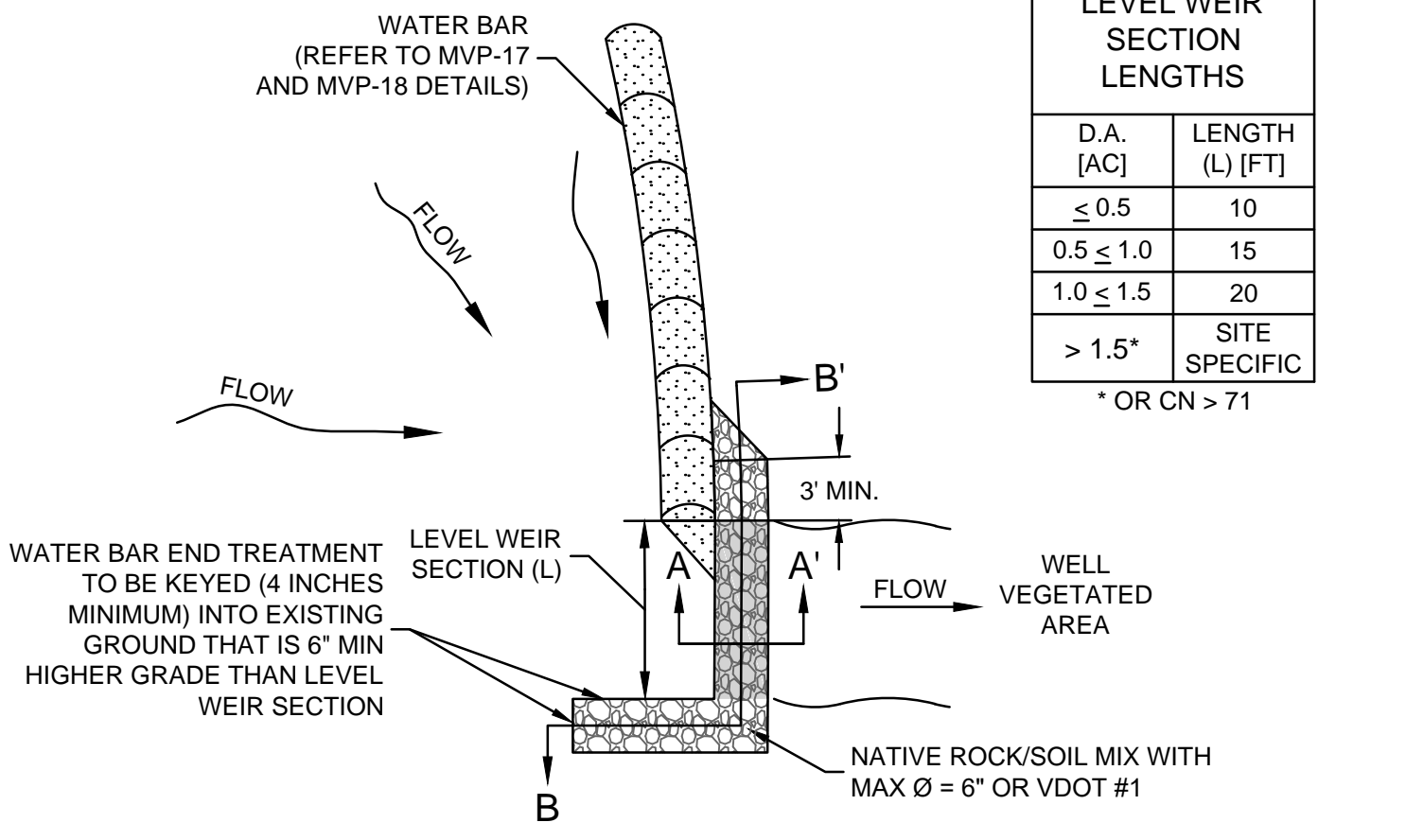


**DETAILED EXAMPLES -
CROSS SLOPE
CONDITION**



LEVEL WEIR SECTION LENGTHS	
D.A. [AC]	LENGTH (L) [FT]
≤ 0.5	10
$0.5 \leq 1.0$	15
$1.0 \leq 1.5$	20
$> 1.5^*$	SITE SPECIFIC

* OR CN > 71



WATER BAR
END TREATMENT DETAIL
 NOT TO SCALE